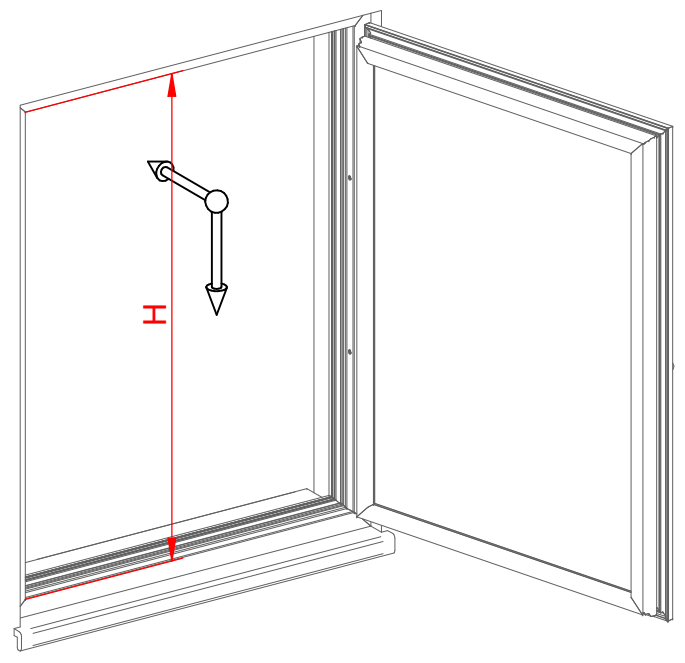
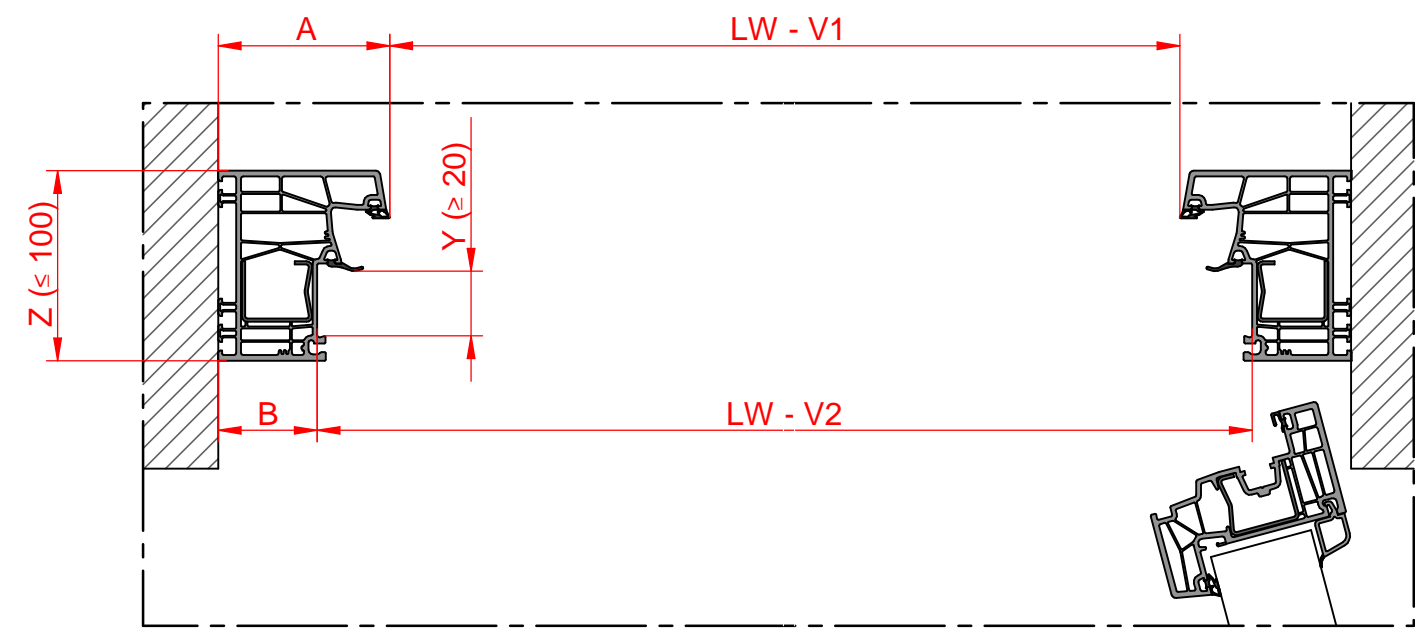
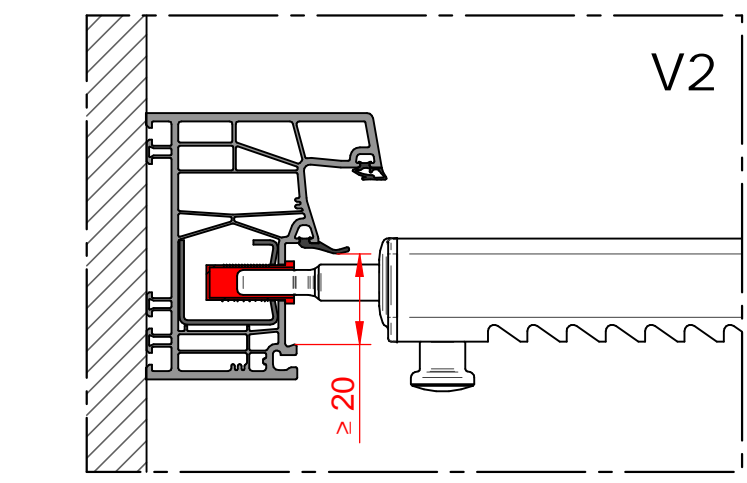
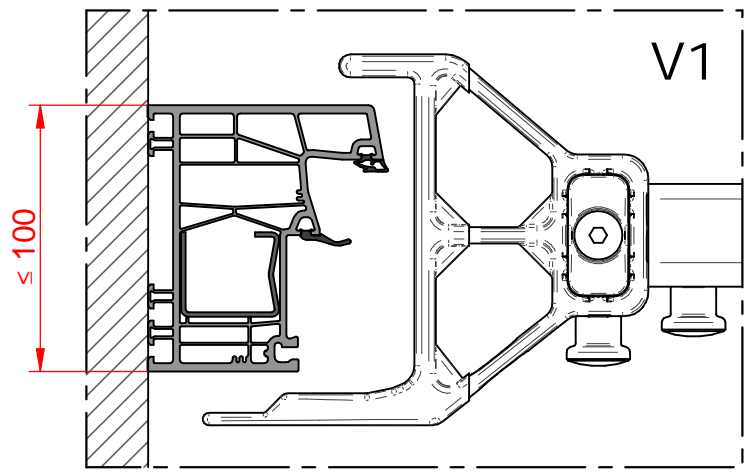


# INNOTECH MFS



|    | Typ<br>(V1,V2) | LW - V1<br>(mm) | LW - V2<br>(mm) | H<br>(mm)<br>Optional | A<br>(mm) | B<br>(mm) | Z<br>(mm) | Y<br>(mm) | Stk. |
|----|----------------|-----------------|-----------------|-----------------------|-----------|-----------|-----------|-----------|------|
| 1  |                |                 |                 |                       |           |           |           |           |      |
| 2  |                |                 |                 |                       |           |           |           |           |      |
| 3  |                |                 |                 |                       |           |           |           |           |      |
| 4  |                |                 |                 |                       |           |           |           |           |      |
| 5  |                |                 |                 |                       |           |           |           |           |      |
| 6  |                |                 |                 |                       |           |           |           |           |      |
| 7  |                |                 |                 |                       |           |           |           |           |      |
| 8  |                |                 |                 |                       |           |           |           |           |      |
| 9  |                |                 |                 |                       |           |           |           |           |      |
| 10 |                |                 |                 |                       |           |           |           |           |      |

|        |            |                   |  |                                 |  |
|--------|------------|-------------------|--|---------------------------------|--|
| Datum  |            | Name              |  | Projekt / Benennung             |  |
| Bearb. | 04.07.2019 | Leeb R.           |  | <b>Datenblatt</b><br><b>MFS</b> |  |
| Gepr.  | 09.06.2021 | Leeb R.           |  |                                 |  |
| Norm   |            | Status            |  | Freigegeben                     |  |
| A      |            | Dokument erstellt |  | 21.05.2021                      |  |
| Zust.  |            | Änderung          |  | Datum                           |  |
|        |            | Na.               |  | Leeb                            |  |
|        |            |                   |  | www.innotech.at                 |  |
|        |            |                   |  | +43 (0) 7619 / 22122            |  |
|        |            |                   |  | Arbeitschutz GmbH               |  |
|        |            |                   |  | A-4656 Kirchham, Laizing 10     |  |
|        |            |                   |  | Ersatz für                      |  |
|        |            |                   |  | Rev.                            |  |
|        |            |                   |  | Blatt                           |  |
|        |            |                   |  | <b>A</b>                        |  |
|        |            |                   |  | <b>1/1</b>                      |  |
|        |            |                   |  | Format                          |  |
|        |            |                   |  | Solid Edge                      |  |